

4

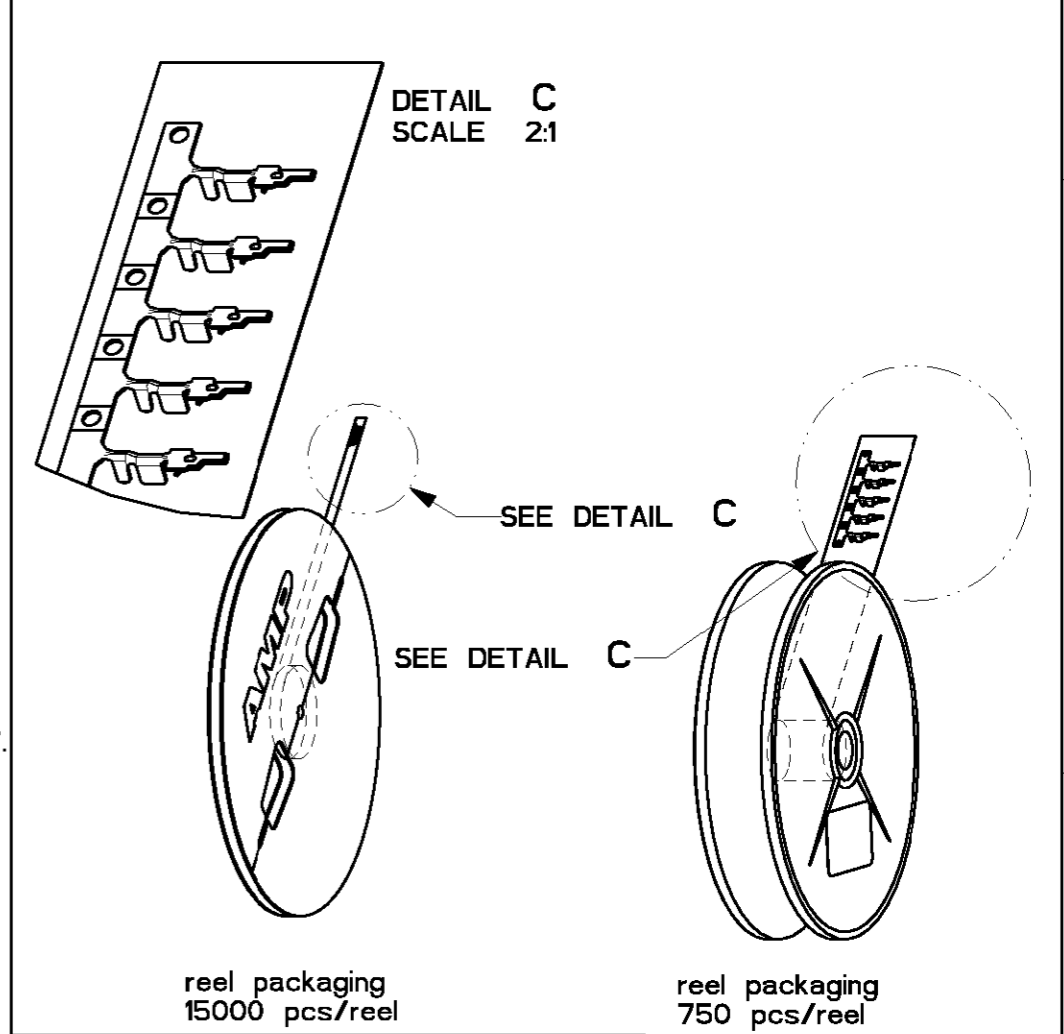
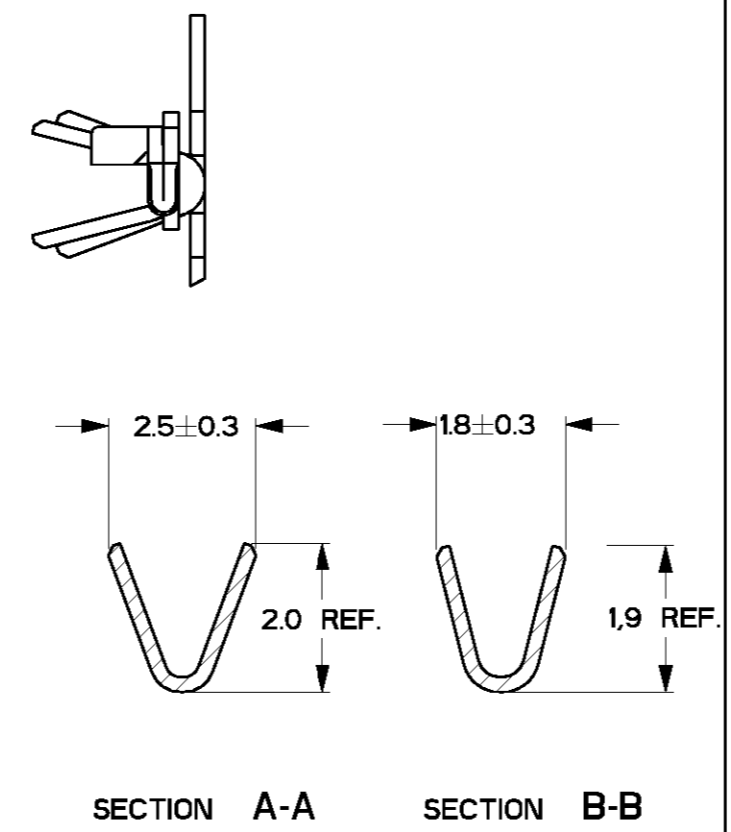
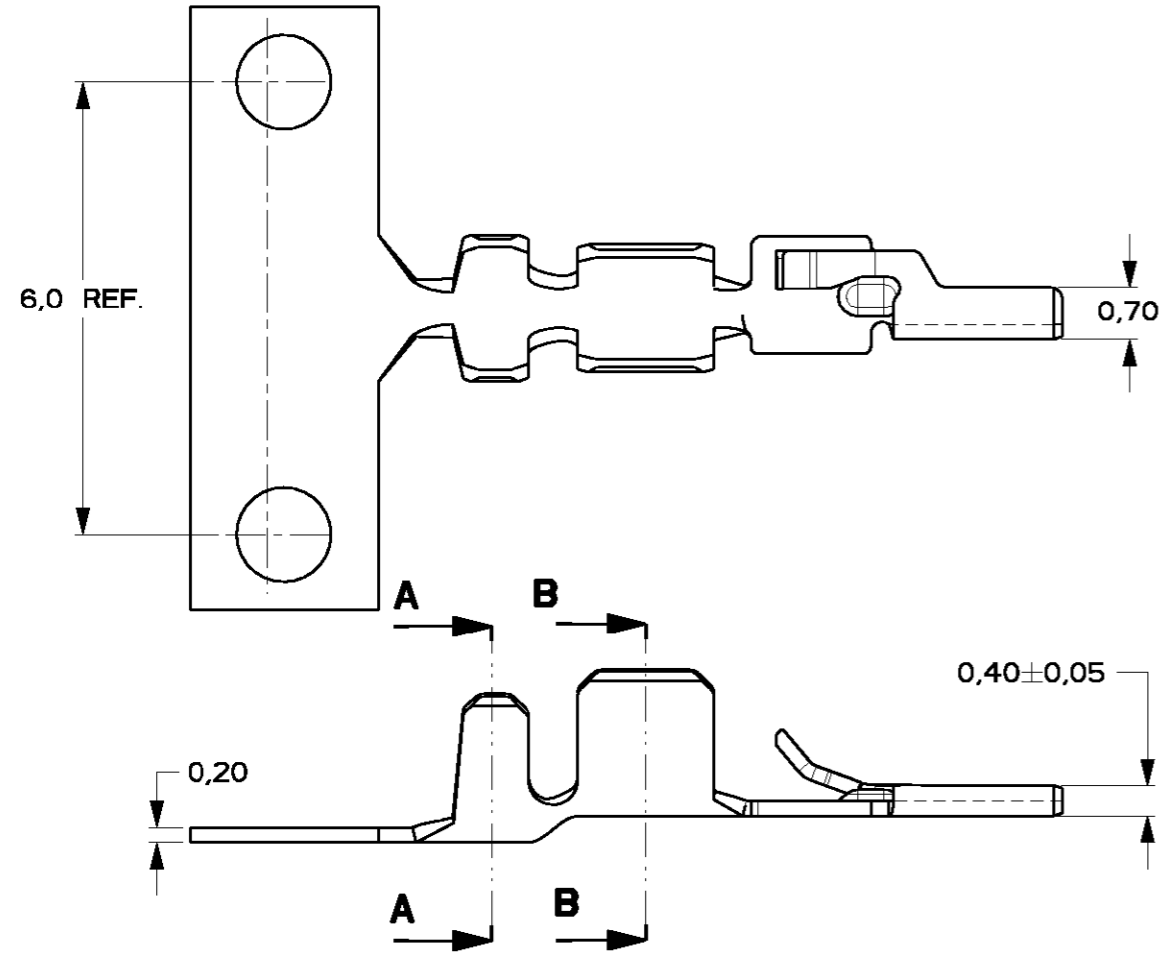
3

2

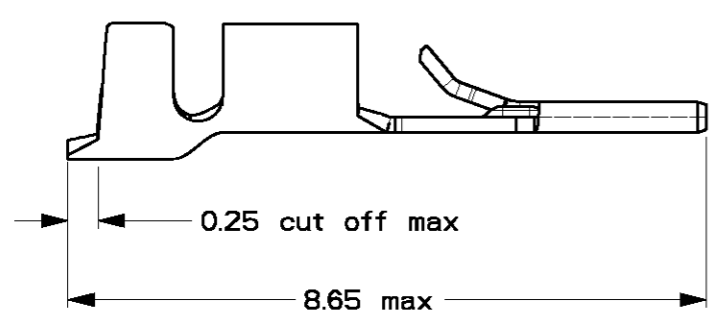
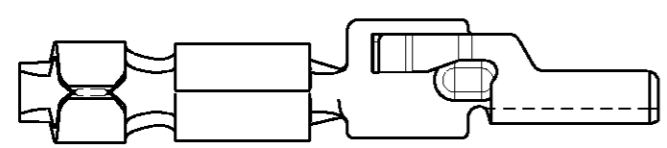
1

THIS DRAWING IS UNPUBLISHED. **XXXXXXXXXXXXX** DATE: -
 © COPYRIGHT - 97 By Tyco Electronics Nederland B.V. ALL RIGHTS RESERVED.

LOC	DIST	REVISIONS			
H	-	LTR	DESCRIPTION	DATE	APVD
		B	ECN 1381/98	08/09/98	MG
		D	ECN 0080-00	18/04/00	MG
		E	EH01-0232-04	16 FEB 04	EL



- NOTES:**
1. WIRE RANGE 24-20 AWG
 2. INSULATION RANGE \varnothing .50- .060 (1,27-1,52 mm)
 3. FOR APPLICATOR USE ONLY
 4. FOR HANDTOOL USE ONLY
 5. FOR APPLICABLE CONNECTOR HOUSINGS SEE C-338095.



4	750	Pre-Tin	COSI-contact	Phosphorbronze	1-0338097-1
3	15000	Pre-Tin	COSI-contact	Phosphorbronze	0-0338097-1
	Pcs/reel	Finish	Description	Material	Partnumber

<small>THIS DRAWING IS A CONTROLLED DOCUMENT FOR Tyco Electronics Nederland B.V. IT IS SUBJECT TO CHANGE AND THE CONTROLLING ENGINEERING ORGANIZATION SHOULD BE CONTACTED FOR THE LATEST REVISION.</small>		DWN	M.V.AMELSFORT		
DIMENSIONS: mm 		CHK	H.v.Delft		
TOLERANCES UNLESS OTHERWISE SPECIFIED: 0 PLC ± 0.2 1 PLC ± 0.1 2 PLC ± 0.05 3 PLC ± 0.01 4 PLC ± - ANGLES ± 0.2°		APVD	-		
MATERIAL		PRODUCT SPEC	108-19052		
FINISH		APPLICATION SPEC	114-19051		
Pre-tinplated		WEIGHT	-		
		AMP Tyco Electronics Nederland B.V. <small>*S-HERTOGENBOSCH, THE NETHERLANDS</small>		NAME MICRO-MATCH COSI CONTACT 20-24 AWG	
		SIZE	CAGE CODE	DRAWING NO	
		A3	00779	C- 338097	
		CUSTOMER DRAWING		SCALE 10:1	SHEET 1 OF 1 REV E